



EvoSafe-Series Ecologic Low Temperature (-45°C) Freezers

Snijders Labs manufactures also Low Temperature freezers with a maximum range up to -45°C. These freezers guarantee an energy efficient and a simple way to preserve valuable material. Applicable for clinical chemical laboratories, bloodbanks and for industrial settings.

General Construction Features

- Green refrigerants (< 150 GWP)
- Stainless steel interior, SS304.
- External epoxy coated Zincor steel.
- High quality insulation by foamed-in-place Polyurethane, 130 mm.
- Potential (voltage) free contact for connection to an alarm system.
- Mounted on heavy duty swivel castors for mobility.
- Web-based controller monitoring crucial elements & temperature data, storing 16 months on SD-card.
- USB-connection for downloading data (see graph on page 3).
- Ethernet connection:
 - o Real time monitoring
 - o Download data
 - o E-mailing alarming
- Partially prepared for a CO₂ back-up system.
- Cable entry ports for external sensors.
- Easy to maintain.
- Dust filter behind condenser plate, mounted with magnets.



Upright models

- Fitted with in height adjustable stainless steel shelf(s).
- Stainless steel insulated inner door(s).
- Ergonomic, single move, door latch.
- Automatic vacuum release
- Fitted with a key-lock for security.
- On heavy duty castors
- Available volumes:
 - 120, 244, 360, 480, 600, 711, 827 and 965 liter.
- Levelling feet (only on model VF475 up to VF1000)

SNIJDERS LABS

Snijders Labs is a tradename of Snijders Tilburg B.V.

EXPERIENCED INNOVATORS



Chest models

- Stainless steel interior
- Inner Forex lids with handle.
- Ergonomic door latch.
- Fitted with a key-lock for security.
- On heavy duty castors.
- Available volumes: 405, 568 liter.

SNIJDERS LABS

Snijders Labs is a tradename of Snijders Tilburg B.V.

EXPERIENCED INNOVATORS



WEB-BASED CONTROLLER WITH 7" TOUCHSCREEN DISPLAY

- o Showing setpoint and actual temperature
- o Energy saving standby mode
- o Hart beat showing good operation
- o 4-number personal codes for entry
- o Full Service Program
- o Storage and monitoring service activities
- o Red colour display during alarm
- o Alarm code + description of the alarm in display
- o Temperature data with scroll function
- o Data storage at least one (1) year
- o Online visualization (monitoring) freezer

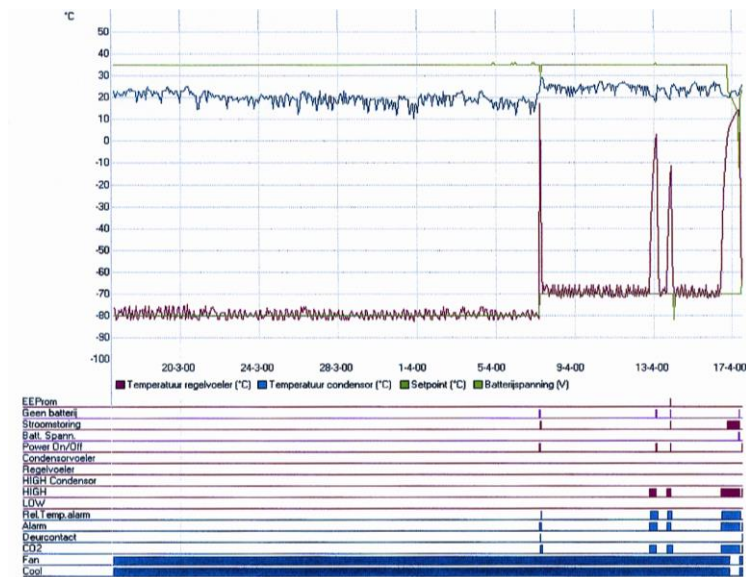
AUDIBLE AND VISABLE ALARMS FOR:

- o High and low temperature
- o Too high ambient temperature
- o Power failure
- o Battery low
- o Door open
- o Sensor broken
- o System failure

Alarming:

- Audible and optical alarm, also during power failure as long battery is operational.
- Via potential (voltage) free contact.
- Visible on PC when connected with Ifreeze Ethernet connection.
- By e-mail when connected with web-mail-server by Ethernet connection.

Temperature/time graph





Model numbers and Specifications

Upright freezers -45°C:

	VF120-45G	VF240-45G	VF360-45G	VF475-45G
Volume (ltr./Cu.Ft.)	120	244	360	480
Exterior dimensions (wxdxh / mm)	755x740x1270	755x740x1832	755x890x1992	905x890x1944
Interior dimensions (wxdxh / mm)	2 compartments, each 450 x 488 x 265	4 compartments, each 450 x 488 x 264	4 compartments, each 450 x 626 x 305	4 compartments, each 600 x 626 x 305
Cooling system:	1 compressor	1 compressor	1 compressor	1 compressor
Breaker requirements	16 Amp, 220/240V, 50 Hz	16 Amp, 220/240V, 50 Hz	16 Amp, 220/240V, 50 Hz	16 Amp, 220/240V, 50 Hz
Weight	140 kg	205 kg	275 kg	305 kg

	VF620-45G	VF720-45G	VF830-45G	VF1000-45G
Volume (ltr./Cu.Ft.)	600	711	827	965
Exterior dimensions (wxdxh / mm)	1055x890x1944	1195x890x1944	1335x890x1944	1335x995x1944
Interior dimensions (wxdxh / mm)	4 compartments, each 750 x 626 x 305	4 compartments, each 890 x 626 x 305	4 compartments, each 1035 x 626 x 305	4 compartments, each 1035 x 731 x 305
Cooling system:	1 compressor	1 compressor	1 compressor	1 compressor
Breaker requirements	16 Amp, 220/240V, 50 Hz	16 Amp, 220/240V, 50 Hz	16 Amp, 220/240V, 50 Hz	16 Amp, 220/240V, 50 Hz
Weight	350 kg	365 kg	380 kg	415 kg

Chest freezers -45°C:

	HF400-45G	HF570-45G
Volume (ltr./Cu.Ft.)	405 liter	568 liter
Exterior dimensions (wxdxh / mm)	1680 x 950 x 1098	2060 x 950 x 1098
Interior dimensions (wxdxh / mm)	947 x 570 x 751	1327 x 570 x 751
Cooling system:	1 compressor	1 compressor
Breaker requirements	16 Amp, 220/240V, 50 Hz	16 Amp, 220/240V, 50 Hz
Weight (kg)	290	335

SNIJDERS LABS

Snijders Labs is a tradename of Snijders Tilburg B.V.

EXPERIENCED INNOVATORS



Safety backup system

Modelno: Description:

S700 CO₂ Backup system, powered by a rechargeable battery, battery charger and magnetic valve. Factory installed. Injects CO₂ into the LT-freezer when the temperature rises above the preset level. Excl. CO₂-bottle.

! Accessories for above mentioned safety backup system: see pricelist.



Temperature recorders

A temperature recorder, fitted with a circular chart. A temperature range of -100°C tot 0°C. Switch from 24 hours to 7 day registration. Factory installed. Chart paper (pkg./100), a set of keys, 1 pen tip and battery included.

Modelno.: Description:

RU-0005 Temperature recorder for 7 days and 24 hours.
RU-0006-7 Chart paper for 7 days, (pkg./100).
RU-0006-24 Chart paper for 24 hours, (pkg./100).
RU-0007-B Pen tips, colour Blue for RU-0005 (pkg./2).
RU-0007-Z Pen tips, colour Black for RU-0005 (pkg./2).
RU-0007-R Pen tips, colour Red for RU-0005 (pkg./2).

SNIJDERS LABS

Snijders Labs is a tradename of Snijders Tilburg B.V.

EXPERIENCED INNOVATORS



Inventory systems, stainless steel, racks and cassettes

For storage of plasma- and blood products:



Stainless Steel holder with grip, for freezer, VF120-45G and VF240-45G.

Model no. : PD45

Size (mm) : 142 x 430 x 150/100 (wxdxh)

Max. capacity VF120 : 6 pieces

Max. capacity VF240 : 12 pieces

This holder / drawer contains 3 compartments, each approx. 140 x 135 x 100 mm (wxdxh).

Stainless Steel holder with grip, for freezer VF360/VF475/VF620/VF720/VF830-45G

Model no. : PD60

Size (mm) : 142 x 580 x 150/100 (wxdxh)

Max. capacity VF360 : 12 pieces

Max. capacity VF475 : 16 pieces

Max. capacity VF620 : 20 pieces

Max. capacity VF720 : 24 pieces

Max. capacity VF830 : 28 pieces

This holder / drawer contains 4 compartments, each approx. 140 x 135 x 100 mm (wxdxh).

Stainless Steel holder with grip, for freezer VF1000-45G

Model no. : PD75

Size (mm) : 142 x 700 x 150/100 (wxdxh)

Max. capacity : 28 pieces

This holder / drawer contains 5 compartments, each approx. 140 x 135 x 100 mm (wxdxh).

* Other inventory systems on request.

SNIJDERS LABS

Snijders Labs is a tradename of Snijders Tilburg B.V.

EXPERIENCED INNOVATORS

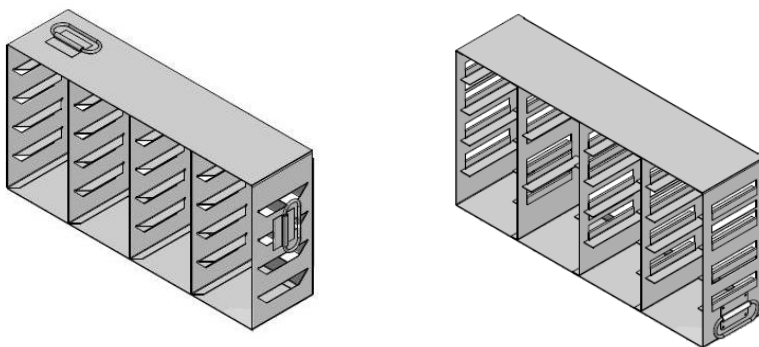


For boxes with size 135 x 135 x 50/75 mm (wxdxh):

Aluminium rack-system with removable drawers (boxes not included)



Stainless Steel storage racks with fixed and flexible division.



* Other inventory systems see datasheet, otherwise on requests.

SNIJDERS LABS

Snijders Labs is a tradename of Snijders Tilburg B.V.

EXPERIENCED INNOVATORS



Water resistant cryo-gloves



A light and comfortable way to remove material from the Snijders Scientific (Ultra) Low Temperature freezers. Resistant to solvents and chemicals, non asbestos, static free, machine washable and lint free. (Cryo-gloves, 100% waterproof or in leather, available on request).

	Wrist	Mid-arm	Elbow	Shoulder
Length	300 mm	350/400 mm	460/510 mm	680/710 mm
Small	WR30S	MA3540S	EB4651S	SH6871S
Medium	WR30M	MA3540M	EB4651M	SH6871M
Large	WR30L	MA3540L	EB4651L	SH6871L
x-large	WR30XL	MA3540XL	EB4651L	SH6871XL

SNIJDERS LABS

Laurent Janssensstraat 105 – 5048 AR TILBURG

P.O. BOX 5099 – 5004 EB TILBURG

TEL: (+31)13-7501555 FAX: (+31)13-4638635

E-mail: info@snijderslabs.com – www.snijderslabs.com



Snijders Tilburg B.V. meets the requirements of the Dutch Foundation for the authorization of handling refrigerants during installation and maintenance of refrigeration and air-conditioning equipment.



ISO9001:2015 ISO13485:2016 CE approved.